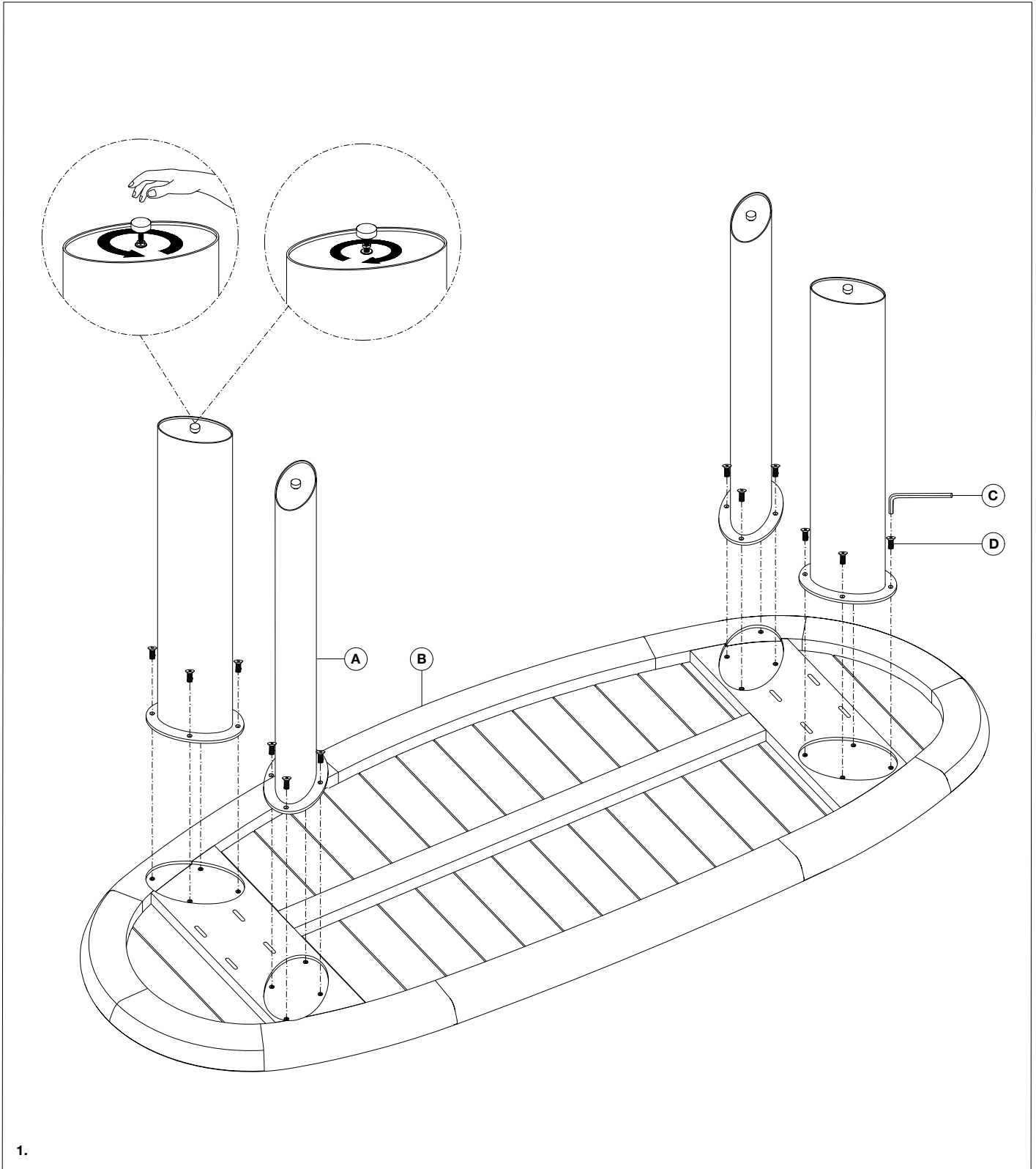


117217 Dining Table Free Form



1.