



**Item type**

Wall Lamp

**Item name**

Wentworth Double

**Item number(s)**

115950

**Attention!**

Turn off the electricity supply at the main circuit panel before installing. Do not connect the electricity supply until your luminaire is fully assembled and installed.

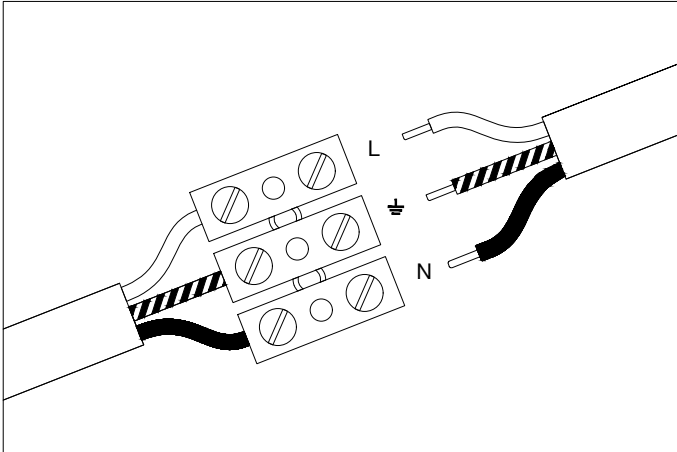
**Care instructions:**

Wipe with a soft dry cloth, do not use chemicals or abrasive cleaning materials.

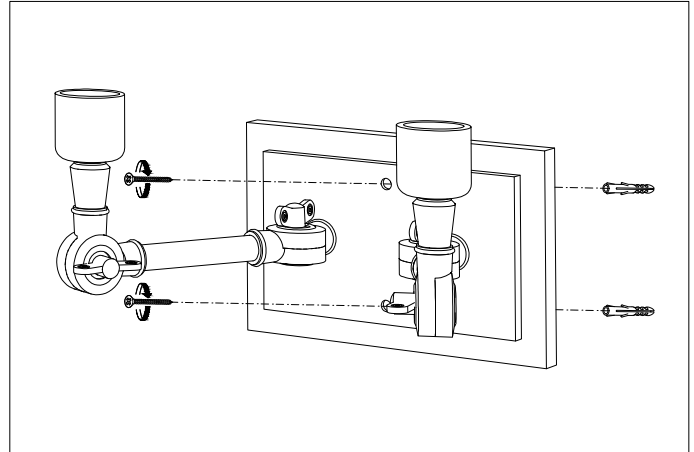
**Eichholtz B.V.**

Delfweg 52  
2211 VN Noordwijkerhout  
The Netherlands

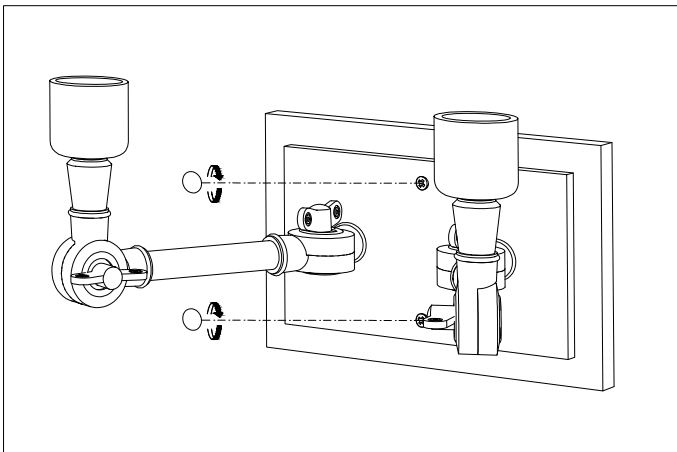
🏠 [www.eichholtz.com](http://www.eichholtz.com)  
✉ [service@eichholtz.com](mailto:service@eichholtz.com)  
☎ +31 (0)252 515 850



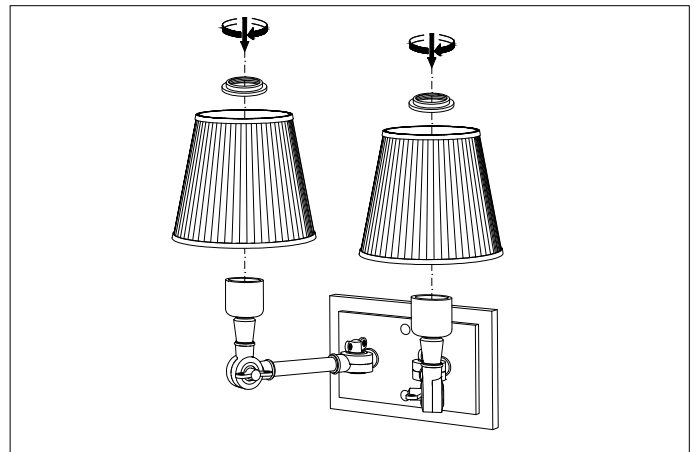
1. Connect the 3 wires according to their colours. Brown is the live wire (L), blue is the neutral wire (N), green/yellow is the earth wire ( $\perp$ ).



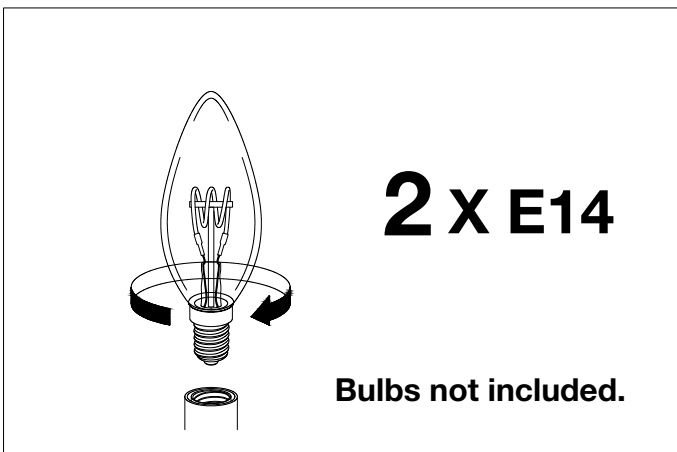
2. Fix the luminaire to your junction box or wall by using suitable wall mounting plugs and screws.



3. Screw the covers on the screw heads.



4. Place the lampshades.



5. Place the bulbs.