

Item type

Lantern

Item name

Monticello

Item number(s)

115713

Attention!

Turn off the electricity supply at the main circuit panel before installing.
Do not connect the electricity supply until your luminaire is fully assembled and installed.

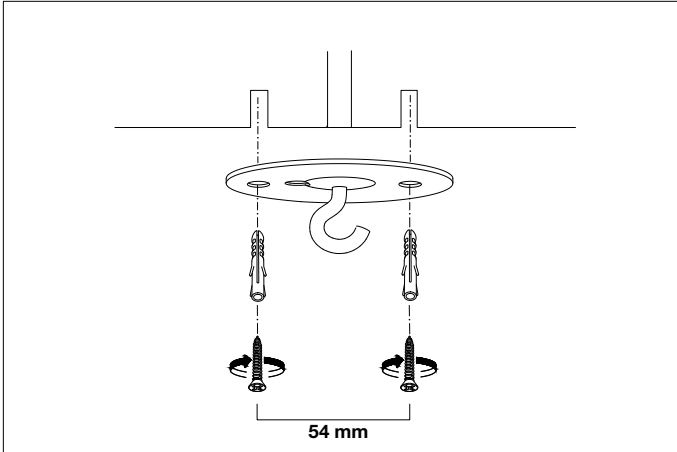
Care instructions:

Wipe with a soft cloth, do not use chemicals or abrasive cleaning materials.

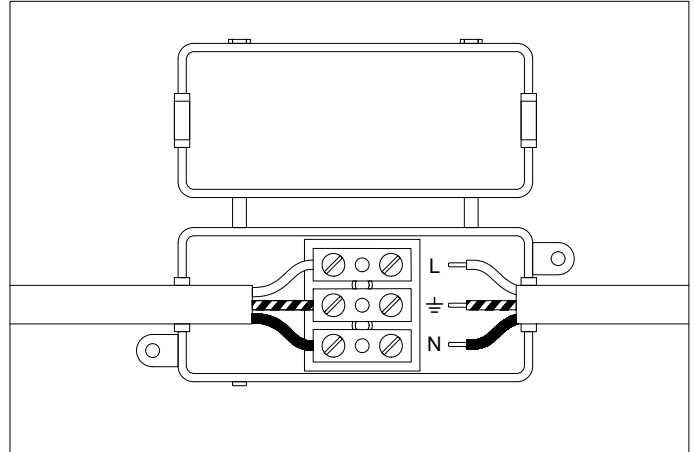
Eichholtz B.V.

Delfweg 52
2211 VN Noordwijkerhout
The Netherlands

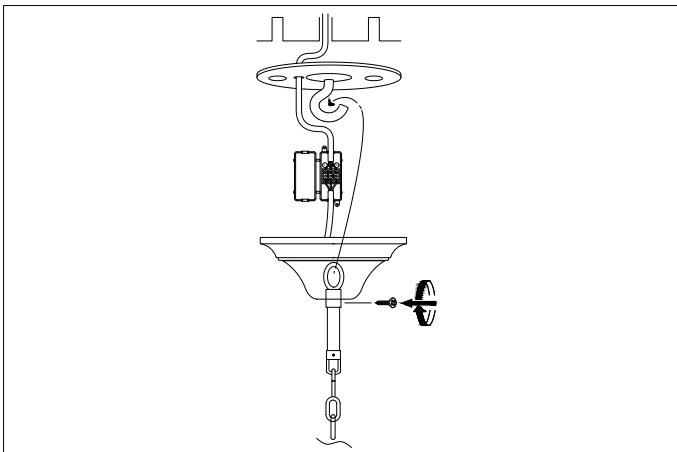
🏠 www.eichholtz.com
✉ service@eichholtz.com
☎ +31 (0)252 515 850



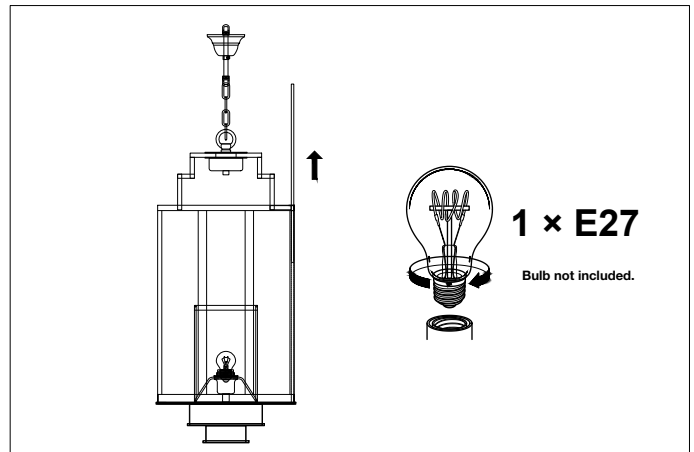
1. Fix the ceiling plate to the ceiling by using mounting plugs and screws suitable to your ceiling type. Make sure to lead the wire through the plate.



2. Connect the 3 wires according to their colours. Brown is the live wire (L), blue is the neutral wire (N), green/yellow is the earth wire (⊕).



3. Hang the lantern on the hook of the ceiling plate with the canopy at the lowest position. Carefully lower the lamp until the chains is taut. Straighten the chain links.



4. Move the glass up and place the bulbs.