



Item type

Cabinet

Item name

Canova

Attention!

Serious or fatal crushing injuries can occur from furniture tip-over. To help prevent this install the tip-over restraint. Place heaviest items in lowest drawers. Never allow children to climb or hang on drawers, doors or shelves. The tip-over restraint may only reduce, but not eliminate the risk of tip-over.

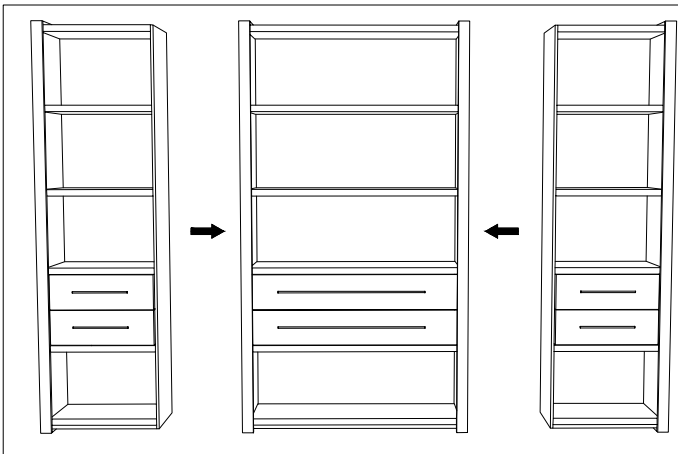
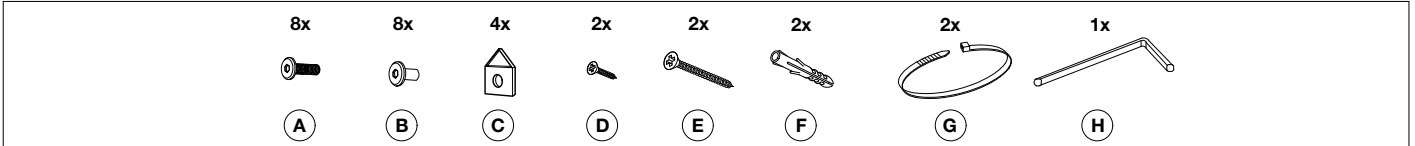
Care instructions:

Dust regularly and clean with a soft dry cloth. Remove spills immediately as moisture can cause the veneer to peel off the surface.

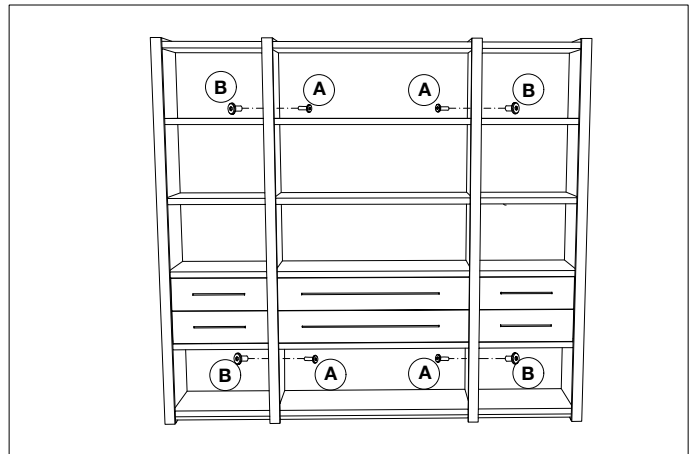
Eichholtz B.V.

Delfweg 52
2211 VN Noordwijkerhout
The Netherlands

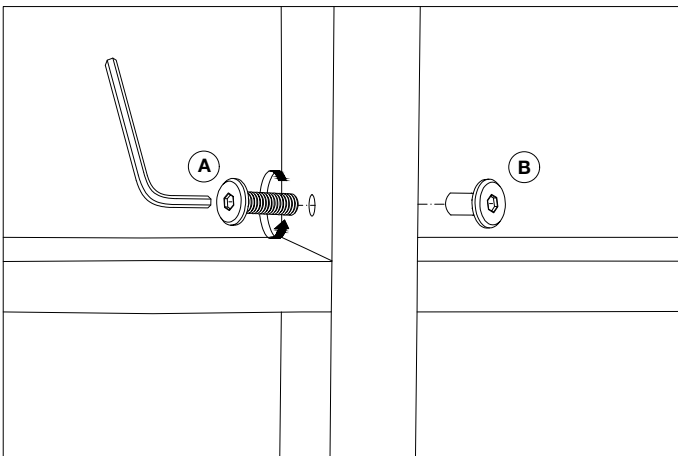
🏠 www.eichholtz.com
✉ service@eichholtz.com
☎ +31 (0)252 515 850



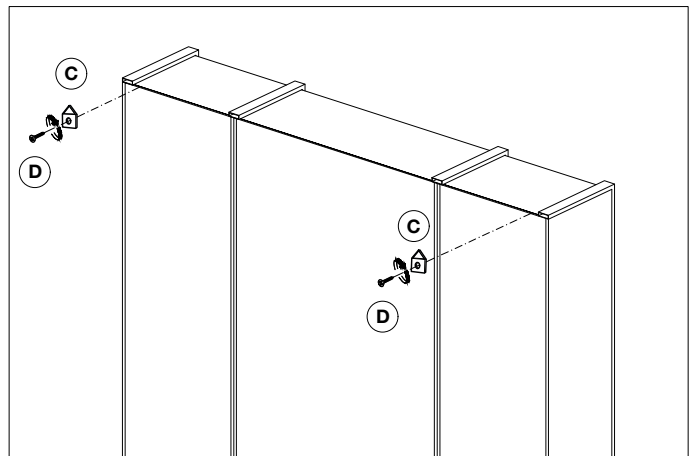
1. Place the cabinets together.



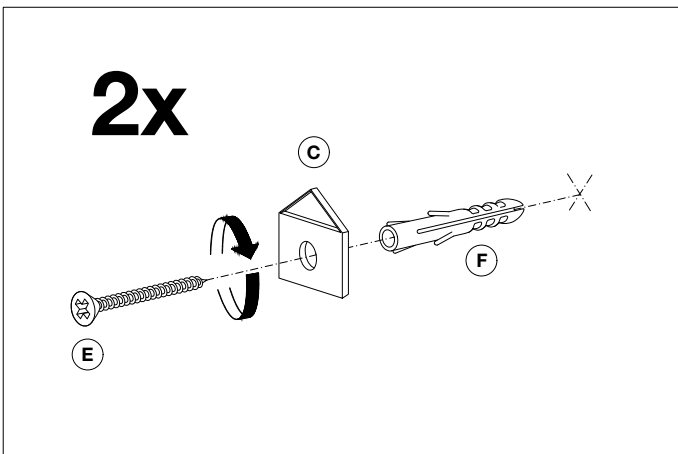
2. Assemble the cabinets as detailed in step 3.



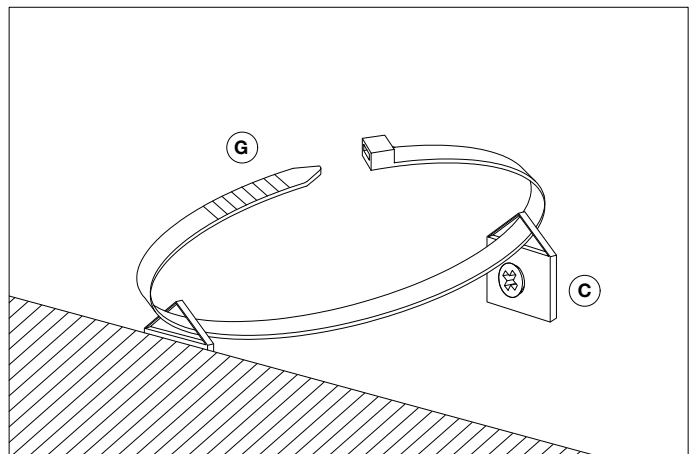
3.



4. Fix the brackets to the cabinet.



5. Fix the brackets to the wall mounting plugs suitable for your wall.



6. Move the cabinet into its final position. Thread the strap through the brackets and tighten strap until snug. Do not over tighten. Make sure the brackets are firmly attached and the strap is snug.