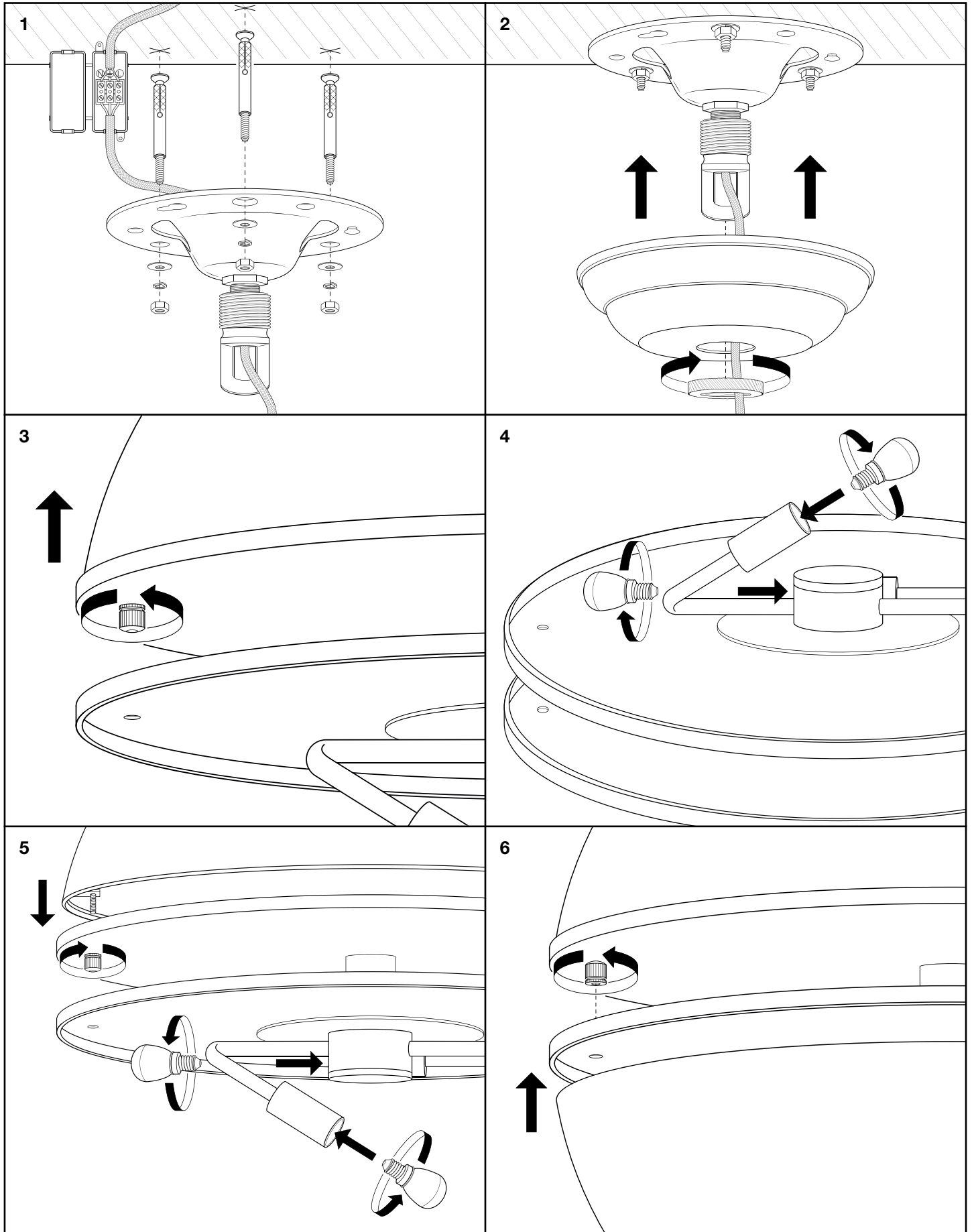




E I C H H O L T Z

112221 CHANDELIER SPIRIDON

ASSEMBLY INSTRUCTION

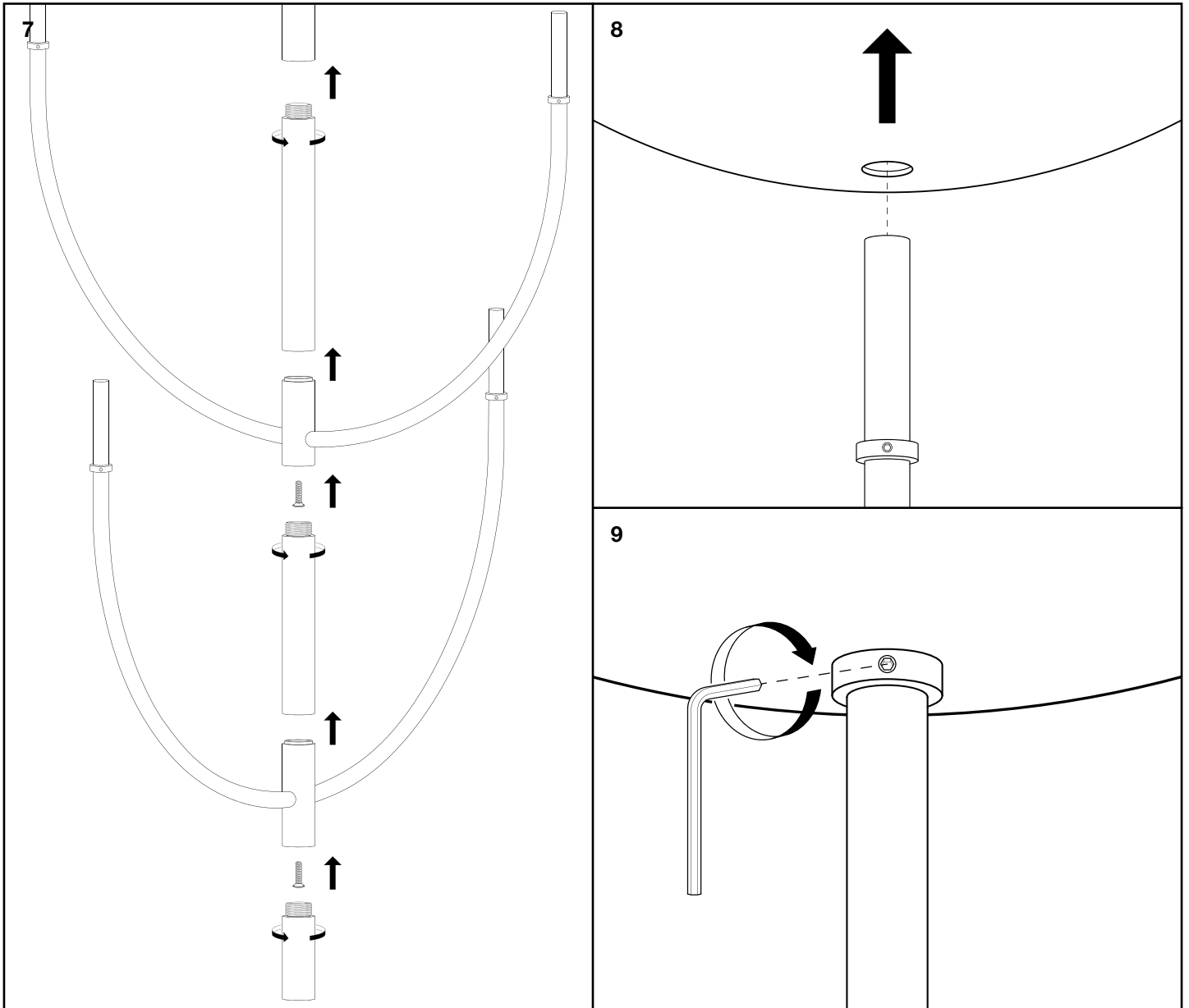




E I C H H O L T Z

112221 CHANDELIER SPIRIDON

ASSEMBLY INSTRUCTION



TWO PEOPLE ARE REQUIRED FOR SAFE MOUNTING OF THIS LUMINAIRE.

Turn off the electricity supply at the main circuit panel before installing. Do not connect the electricity supply until your luminaire is fully assembled and installed.

Fix the ceiling bracket to the ceiling by using mounting plugs and screws suitable to your ceiling type.

Hold the lamp in an elevated position in such a way that the wires can freely reach the ceiling junction box. Thread the wires through the components (suspension eye, retaining nut, ceiling canopy) and connect the 3 power wires according to their colours. Brown is the live wire, blue is the neutral wire, green/yellow is the earth wire.

Screw the suspension eye (with retaining nut attached) to the ceiling bracket and fix it securely by tightening the retaining nut.

Remove the top glass by loosening the nuts. Place the bulbs and reassemble the glass.

Place the bulbs in the bottom parts. Assemble the glass with the two nuts in a similar way as the top glass.

Fix the rest of the parts in the order as in picture 7.

For extra security move the ring (picture 9) up to the glass and fix it with the allen key.

CARE INSTRUCTION

Wipe clean with soft, dry cloth.

Always avoid the use of harsh chemicals or abrasive cleaners as they may cause damage to the fixture's finish.