

**Item type**

Cabinet

**Item name**

Malibu

**Item number(s)**

115082

**Attention!**

Place the item on a padded area to prevent damage to the item.

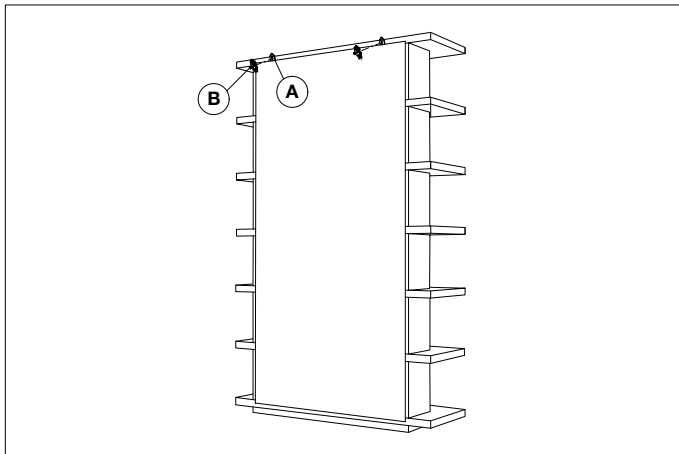
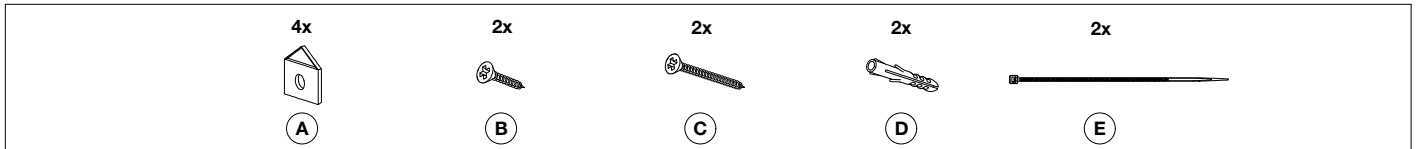
**Care instructions:**

Dust regularly and clean with a soft dry cloth. Remove spills immediately as moisture can cause the veneer to peel off the surface.

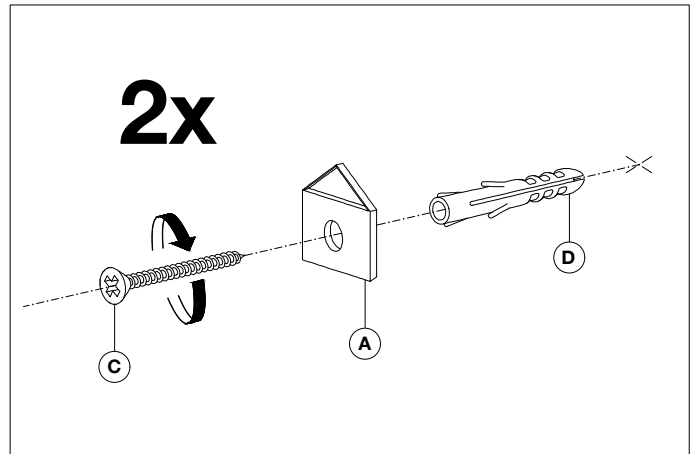
**Eichholtz B.V.**

Delfweg 52  
2211 VN Noordwijkerhout  
The Netherlands

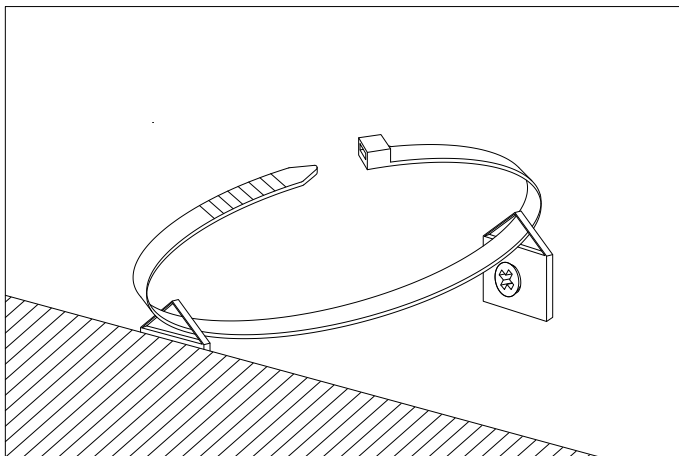
🏠 [www.eichholtz.com](http://www.eichholtz.com)  
✉ [service@eichholtz.com](mailto:service@eichholtz.com)  
☎ +31 (0)252 515 850



1. Fix the brackets to the cabinet.



2. Fix the brackets to the wall using wall mounting plugs suitable for your wall.



3. Move the cabinet into its final position. Thread the strap through the brackets and tighten strap until snug. Do not over tighten. Make sure the brackets are firmly attached and the strap is snug.